

LSTD-R™ Console

Get the big picture for your rugged environment!



INTERGRAPH
GOVERNMENT SOLUTIONS

P r o d u c t O v e r v i e w

Intergraph's ruggedized workstation for the 21st century!

Intergraph's LSTD-R™ console is built with commercial off-the-shelf (COTS) technology and the durability to support your requirements in the harshest environments. The LSTD-R Console is ideal when conditions demand a ruggedized workstation for applications on land or sea. Combining the graphics power of a technical workstation with the open architecture of the Microsoft® Windows NT® operating system, the LSTD-R console comes with a 28-inch HDTV high-resolution plug-and-play monitor that increases viewing area to almost 50 percent more than standard 21-inch displays.

Take the fastest path to productivity with Intergraph's big-screen, industry-leading ruggedized solution.

LSTD-R Console features with optional TD-R 2020R workstation installed:

- Single or dual 733 MHz Intel® Pentium® III processor(s), 32 KB Level 1 cache with 256 KB Advanced Transfer cache
- Integrated Ensoniq ES1373 AudioPCI sound controller
- Integrated dual-channel Ultra3 SCSI controller
- 2 Mode 4-enhanced EIDE channels
- Intel® 82559 Fast Ethernet integrated controller; 10/100Base-TX Ethernet with single, RJ-45 connection, Wake-on-LAN
- 256 MB 133 MHz ECC SDRAM DIMM memory, expandable to 6 GB
- Matrox Millennium G400 AGP accelerated graphics card with 16 MB SGRAM
- 18 GB 7200 rpm LVD Ultra SCSI removable disk drive
- 48X (or higher) ATAPI CD-ROM drive
- 1.44 MB, 3.5-inch floppy disk drive
- 400-watt power supply, A/C input range: 120/240 V
- Expansion Slots: one AGP Pro 50, six 64-bit PCI (two 66 MHz, four 33 MHz)
- Expansion: 1 x 3 1/2-inch peripheral bay
- Microsoft Windows NT Workstation or Server, or Windows® 2000
- Industrial spillproof/dustproof 121-key keyboard with sealed trackball

Optional equipment:

- Up to 6 GB ECC SDRAM DIMM memory
- Second 733 MHz Intel® Pentium® III processor
- SCSI devices: PC card reader, JAZ drive, tape drive
- PCI communication interface with 4 additional ports, RS-232/RS-422 switch selectable
- Additional disk drive and network options available

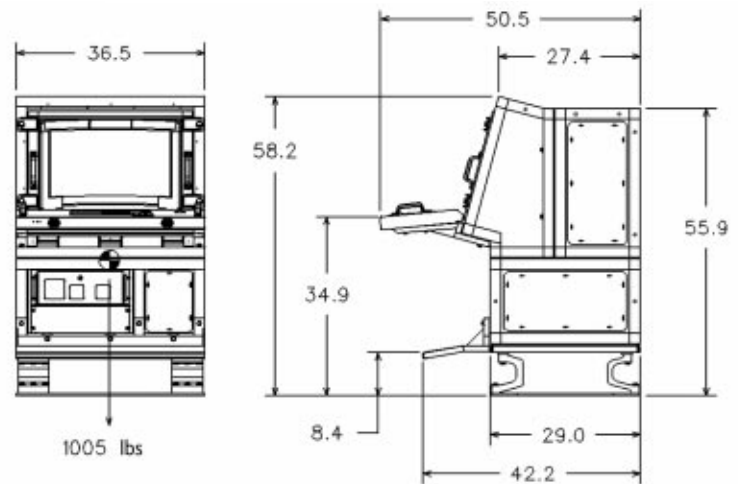
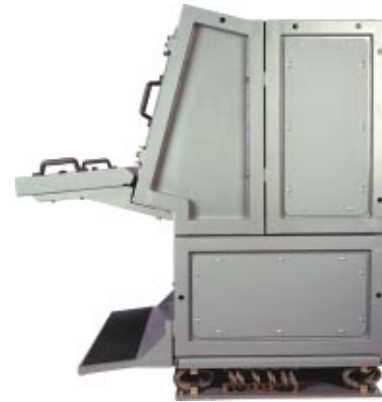
Environmental specifications:

- Front panel and door: 45° C, drip proof
- Temperature: 0 to 50° C (monitor 5 to 35° C)
- Relative humidity: 10 to 90% non-condensing (monitor 50 to 90%)
- Shock: MIL-S-901D Grade A
- Vibration: MIL-STD-167-1

28-inch HDTV high-resolution monitor features:

- Size: 28 inches (25.9 inches viewable)
- Dot pitch: Horizontal 0.27 mm, vertical 0.19 mm, trio 0.32 mm
- Face Plate: Super AGRAS, nonglare, anti-static coating, super-dark tint, 45.5% transmission
- Front panel controls: Power on/off, On-Screen Display (OSD) controls

LSTD-R™ Console



The illustration shows dimensional data for the Grade A sit-down version of the LSTD-R console. Also available is a stand-up version that increases the height of the system by five inches. All dimensions are listed in inches.



For more information about Intergraph Government Solutions, please call or visit our Web site.

1-800-747-2232

www.intergraph.com/govt

INTERGRAPH
GOVERNMENT SOLUTIONS

Intergraph and the Intergraph logo are registered trademarks and TD-R is a trademark of Intergraph Corporation. Microsoft, Windows, and Windows NT are registered trademarks of Microsoft Corporation. Intel and Pentium are registered trademarks of Intel Corporation. Other brands and product names are trademarks of their respective owners.

Intergraph believes the information in this publication is accurate as of its publication date. Such information is subject to change without notice and is subject to applicable technical product descriptions. Intergraph is not responsible for inadvertent errors. Copyright 2000 Intergraph Corporation, Huntsville, AL 35894-0001. IF200344 8/00